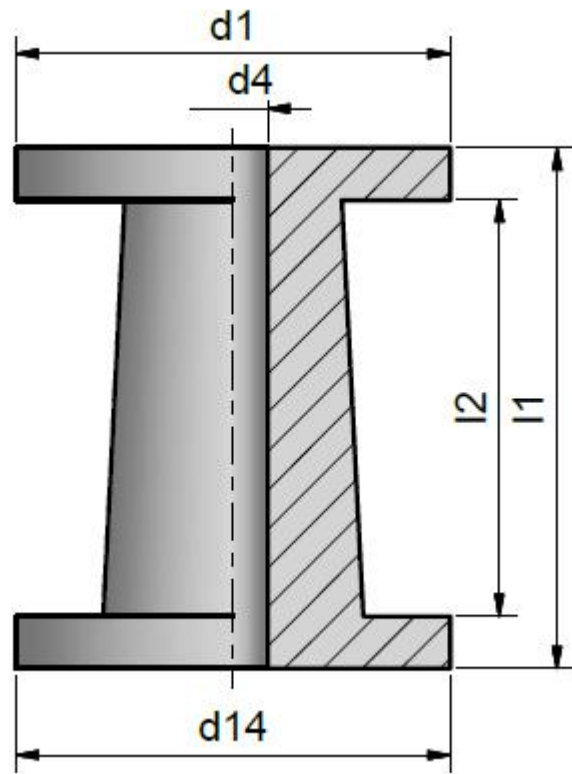


Tapered Spool (For Enameled Wire)



Spool Type	d1 [mm]	d4 [mm]	l1 [mm]	l2 [mm]	d14 [mm]	Spool weight [g]	nom. net wire weight [kg] *				recommended for wire sizes [mm]	spools per box		
							Enameled Copper Wire	Enameled Aluminum Wire	Enameled CCA Wire					
									10%CCA	30%CCA	40%CCA	50%CCA		
PT-4	124	22	200	170	140	0.23	6	2	2.5	3	3.2	3.5	0.04~0.19	4
PT-10	160	22	230	200	180	0.45	15	4.5	5	6	6.5	7.5	0.20~0.29	4
PT-15	180	22	230	200	200	0.54	20	6.5	7	8	8.5	9	0.30~0.62	2
PT-25	215	32	280	250	230	0.75	28	10	11	13	14	15	0.65~4.00	1
PT-60	270	32	406	350	300	2.05	80	24	24	28	32	35	0.65~4.00	1